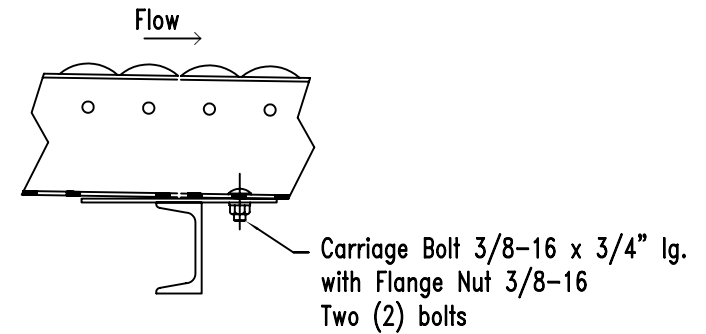
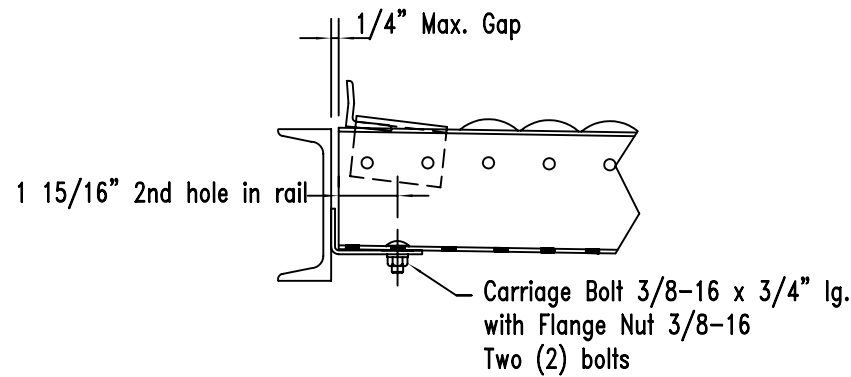


Rail Splice



Mid Span



Entry/Exit

Call (813) 385-0511



THIS DRAWING AND SPECIFICATIONS ARE THE PROPERTY OF DSS AND ARE NOT TO BE REPRODUCED OR COPIED OR USED AS THE BASIS OF MANUFACTURING OR SALE OF APPARATUS AND/OR DEVICES WITHOUT WRITTEN PERMISSION. THIS IS A PROPRIETARY DRAWING AND IS TO BE RETURNED TO DSS UPON REQUEST.