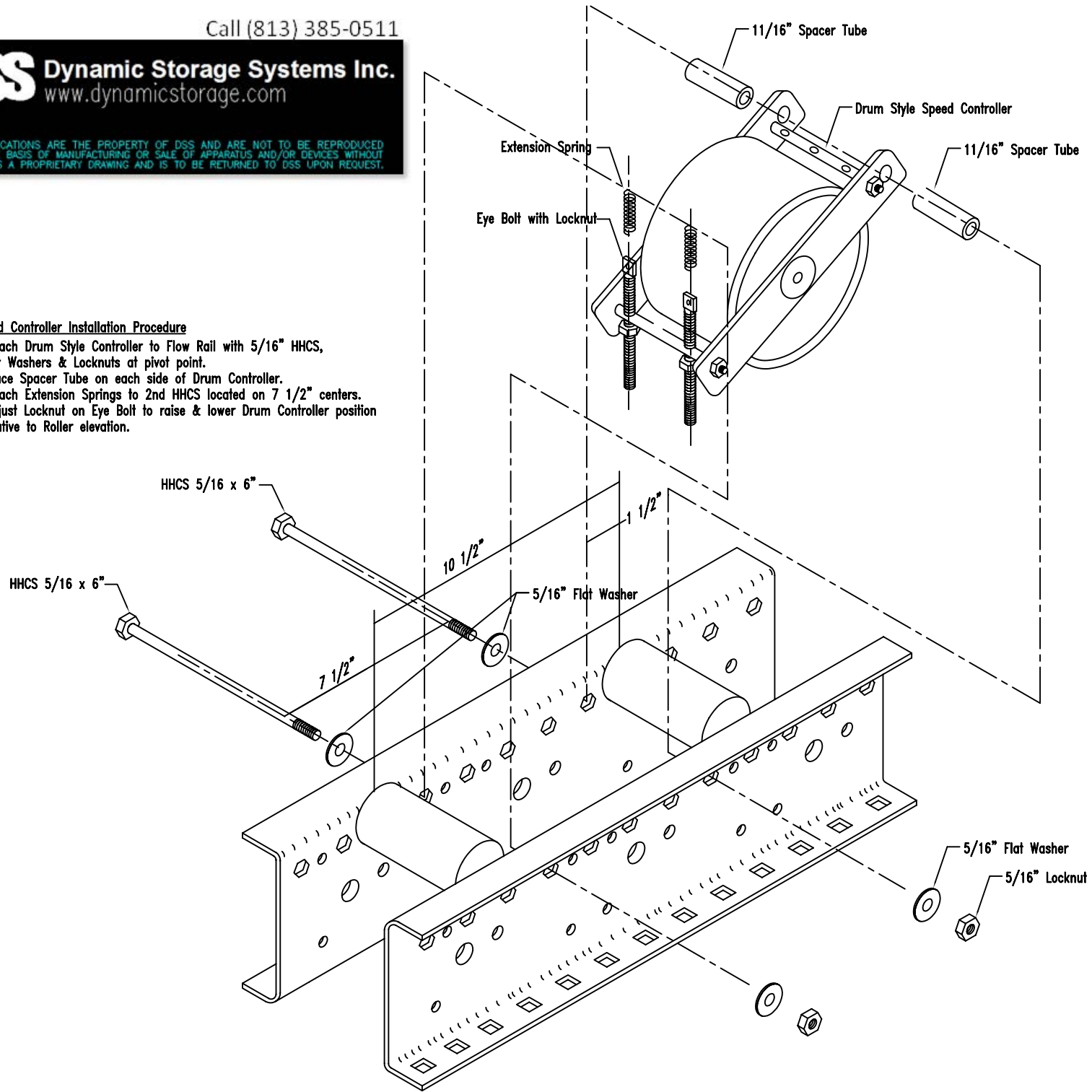




THIS DRAWING AND SPECIFICATIONS ARE THE PROPERTY OF DSS AND ARE NOT TO BE REPRODUCED OR COPIED OR USED AS THE BASIS OF MANUFACTURING OR SALE OF APPARATUS AND/OR DEVICES WITHOUT WRITTEN PERMISSION. THIS IS A PROPRIETARY DRAWING AND IS TO BE RETURNED TO DSS UPON REQUEST.

Speed Controller Installation Procedure

1. Attach Drum Style Controller to Flow Rail with 5/16" HHCS, Flat Washers & Locknuts at pivot point.
2. Place Spacer Tube on each side of Drum Controller.
3. Attach Extension Springs to 2nd HHCS located on 7 1/2" centers.
4. Adjust Locknut on Eye Bolt to raise & lower Drum Controller position relative to Roller elevation.



Speed Controller Assembly Detail